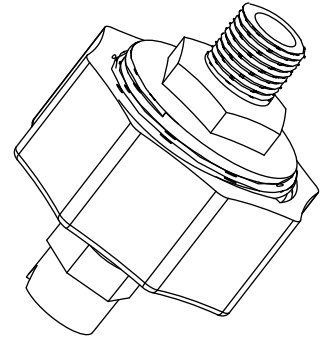
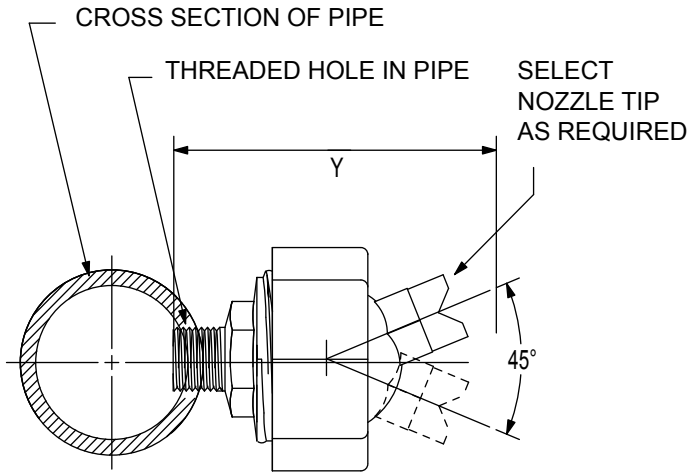


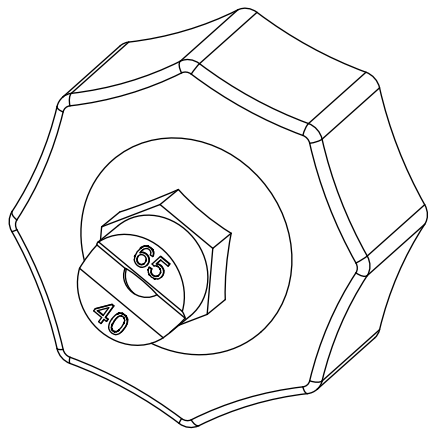
# UNI-SPRAY "MARK III" ADJUSTABLE NOZZLE ASSEMBLY



**Major Dimensions**

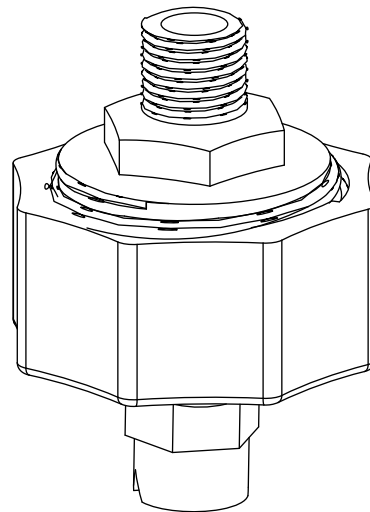
(NPT)	Y	Colour
1/4" Thread	2.55	Black
3/8" Thread	2.55	Gray
1/2" Thread	2.55	Orange

(BSPT)	Y	Colour
1/4" Thread	2.55	White
3/8" Thread	2.55	Blue
1/2" Thread	2.55	Yellow

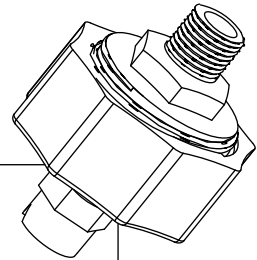


**Features:**

- inexpensive;
- corrosion resistant;
- impervious to most chemicals;
- excellent heat resistance
- injection molded from custom blended polypropylene;
- several thread sizes available
- resists clogging
- directional adjustment of nozzle anywhere within 45°
- tips available in full cone, hollow cone, flat spray and quick change configurations;
- tips available with threaded ball connections in 1/8, 1/4, 3/8 and 1/2 inch NPT or BSPT threads
- Mark 3 nozzle bases provide the ability to adapt our adjustable spray nozzles to applications where threaded nozzles may currently be used.
- Mark 3 bases also provide the ability to use an adjustable nozzle where pipe diameters are larger than 2" or smaller than 1" simply by threading a hole in that pipe.



# UNI-SPRAY "MARK III" QUICK CHANGE ADJUSTABLE NOZZLE ASSEMBLY ORDERING INSTRUCTIONS



## How To Order A Mark III Quick Change Adjustable Nozzle Assembly:

The complete Part Number tells us exactly what assembly you want.

For example, let's say that you want to order a Mark 3 adjustable nozzle Assembly to fit a 1/4" NPT thread with a 65° flat spray nozzle tip that will deliver 3.5GPM at 30 psi:

### Step 1:

The part Number begins with "UNI" and the thread size, as follows:

UNI 14N = 1/4" NPT  
UNI 38N = 3/8" NPT  
UNI 12N = 1/2" NPT

UNI 14B = 1/4" BSPT  
UNI 38B = 3/8" BSPT  
UNI 12B = 1/2" BSPT

.... so in our example, we would have so far...

"UNI 14N"

### Step 2:

Select a nozzle tip from our quick change nozzle selection page and add the tip number to the part number, so in our example we now have..

'UNI 14N 6540QC..'

Note that the 'UNI' in front of the tip number on the QC tip selection page is dropped when the tip number is incorporated into the assembly.

### Step 3:

Add 'M3' to denote the style of base, which is our standard style thread in adjustable base. So in our example, we end up with...

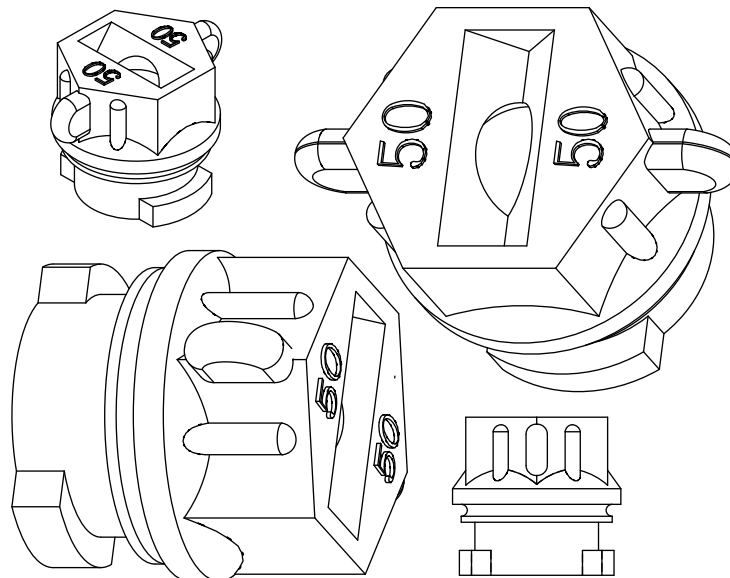
'UNI 14 N 6540 M3'

Note: Our Mark 3 nozzles have been designed to easily adapt adjustable spray nozzles to applications where standard threaded nozzles may currently be used. The can also be utilized in applications where pipe sizes are smaller than 1" or larger than 2" in diameter where clip on nozzles might commonly be used.

# UNI-SPRAY SYSTEMS INC.

## QUICK CHANGE NOZZLE TIP SELECTION DATA

Item No.	Nozzle Tip Part Number	Tip Colour	Spray Pattern	Capacity (US) GPM at PSI									Spray angle		
				5	10	15	20	30	35	40	60	10 psi	20 psi	30 psi	
026	UNI 0030QC	DK Green	0° Spray	2.83	4.0	4.9	5.6	6.9	7.5	8.0	9.8	0°	0°	0°	
027	UNI 1550QC	Pink	15° Flat Spray	1.7	2.5	3.0	3.5	4.3	4.7	5.0	6.1	14°	15°	15°	
028	UNI 50100QC	Gray	50° Flat Spray	3.5	5.0	6.1	7.0	8.7	9.5	10.0	12.2	44°	49°	50°	
029	UNI 5070QC	Blue	50° Flat Spray	2.5	3.5	4.3	4.9	6.1	6.6	7.0	8.6	44°	49°	50°	
030	UNI 5060QC	Orange	50° Flat Spray	2.1	3.0	3.7	4.2	5.2	5.6	6.0	7.3	44°	48°	50°	
031	UNI 5050QC	Pink	50° Flat Spray	1.8	2.5	3.1	3.5	4.3	4.7	5.0	6.1	44°	48°	50°	
032	UNI 65100QC	Lt Green	65° Flat Spray	3.5	5.0	6.1	7.0	8.7	9.5	10.0	12.2	54°	60°	65°	
033	UNI 6570QC	Red	65° Flat Spray	2.5	3.5	4.3	4.9	6.1	6.6	7.0	8.6	54°	60°	65°	
034	UNI 6560QC	Green	65° Flat Spray	2.1	3.0	3.7	4.2	5.2	5.6	6.0	7.3	54°	60°	65°	
035	UNI 6550QC	Red	65° Flat Spray	1.8	2.5	3.1	3.5	4.3	4.7	5.0	6.1	54°	60°	65°	
036	UNI 6540QC	Yellow	65° Flat Spray	1.4	2.0	2.5	2.8	3.5	3.8	4.0	4.9	54°	60°	65°	
037	UNI 6530QC	Purple	65° Flat Spray	1.1	1.5	1.8	2.1	2.6	2.8	3.0	3.7	54°	60°	65°	
038	UNI 8070QC	Beige	80° Flat Spray	2.5	3.5	4.3	4.9	6.1	6.6	7.0	8.6	75°	78°	80°	
039	UNI 8040QC	Beige	80° Flat Spray	1.4	2.0	2.4	2.8	3.5	3.8	4.0	4.9	75°	78°	80°	
040	UNI 8020QC	Yellow	80° Flat Spray	0.7	1.0	1.2	1.4	1.7	1.8	2.0	2.5	65°	70°	80°	
041	UNI 8010QC	Black	80° Flat Spray	0.4	0.5	0.6	0.7	0.9	1.0	1.0	1.2	65°	70°	80°	
042	UNI 8006QC	Lt Green	80° Flat Spray	0.2	0.3	0.37	0.4	0.5	0.55	0.6	0.65	65°	70°	80°	
043	UNI 9540QC	Black	95° Flat Spray	1.4	2.0	2.4	2.8	3.4	3.7	4.0	4.9	85°	90°	95°	
044	UNI 9530QC	Grey	95° Flat Spray	1.0	1.5	1.8	2.1	2.6	2.8	3.0	3.7	85°	90°	95°	
045	UNI 9503QC	Orange	95° Fine Mist	0.1	0.15	0.18	0.2	0.26	0.28	0.3	0.37	85°	90°	95°	
046	UNI 12010QC	Grey	120° Flat Spray	0.3	0.5	0.6	0.7	0.9	0.95	1.0	1.2	100°	120°	120°	
047	UNI 12070QC	Black	120° Flat Spray	2.5	3.5	4.3	4.9	6.1	6.6	7.0	8.6	100°	120°	120°	
048	UNI 29HCQC	DK Green	Hollow Cone	2.0	2.9	3.5	4.1	5.1	5.5	5.9	7.2	50°	50°	50°	
049	UNI 50HCQQC	Black	Hollow Cone	3.5	5.0	6.0	7.1	8.6	9.3	10.0	12.2	65°	65°	65°	



For easy identification, all flat Spray nozzle tips have the tip numbers molded into the ends of the tips.  
 When ordering Nozzle Tips as spare parts, add 'TIP' after the part Number: e.g. 'UNI6540TIP'

*Custom nozzle designs are available upon request!*